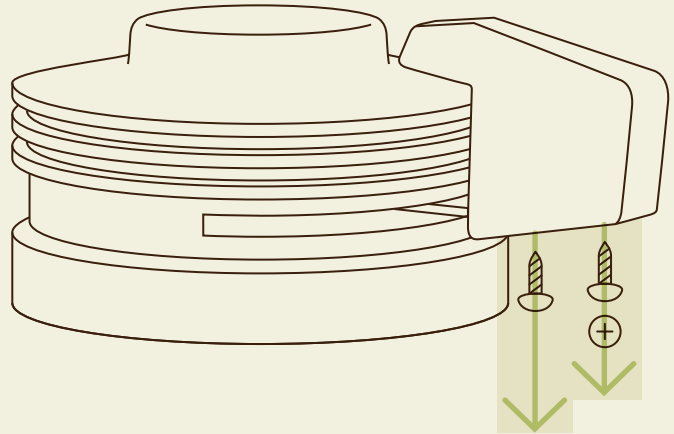


# Wood Group Paddle: installation instructions

Thank you for your purchase of a wood group paddle.

- 1 Using a Phillips screwdriver, unscrew two screws below the paddle
- 2 Place wood paddle on metal lever
- 3 Attach by screwing in two screws to bottom of paddle



## Tools:

- Phillips head screwdriver